



MHT410

MHT410

MHT410

MHT410

IP66

10

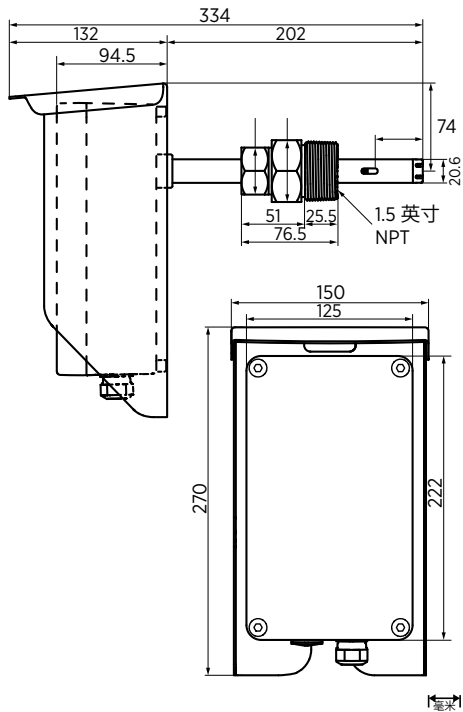
EMC

MHT410

MHT410

Indigo 500
Indigo 520
MHT410

MHT410



	0 ... 5000ppm _v	
1)	± 10%	± 15ppm _v
	± 10%	± 15ppm _v
	15ppm _v	
	3% /	
	< 2% CO ₂ C ₂ H ₂ C ₂ H ₄ CO	
	63%	2.5h
	90%	17h
	2h	12h
	0 ... 100%RS / a _w 0 ... 1	
90%	+20	10min
°C	HUMICAP® 180L2	
	0 ... 90%RS	± 2%RS (a _w ± 0.02)
	90 ... 100%RS	± 3%RS (a _w ± 0.03)
	- 40 ... +120°C	
+20°C	± 0.2°C	
	Pt1000RTD	FO.1 IEC 60751
1)		
	15 ... 30VDC	24 VAC (± 15%) 1)
	4 W	12 W
1)		
	3	4 ... 20mA
	500	
	3.5mA	
+20°C	mA	± 0.125%
	± 0.006% / °C	
1)		
	RS-485	
	RS-485	
	Modbus RTU	DNP3 ASCII
	AWG 22-14	
	1.5mm ²	1.0mm ²
	0.4 Nm	

1) 1.5kVDC

	1.5" NPT	
Indigo 520	5 ... 9mm	M20x
	1.5	
	8 ... 11mm	M20x
	1.5	
	11 ... 14.5mm	M20
	x 1.5	
	1/2" NPT	
	5m 9.2mm	
	10m 9.2mm	
Indigo 520	10m 6.2mm	
	AlSi 10Mg	
IP	IP66	
	4.1 kg	
	LED	Modbus
		44
	5 bara	
	5	
	/	/ (Ester
	Oil)	
	- 20 ... +75°C	
	- 40 ... +60°C	
	- 40 ... +60°C	
	0 ... 100%RH	
	10bara	
	4 bara	
	- 40 ... +120°C	
	> 3 s	
EMC	EN 61326-1 CISPR22 B	IEC 61000-6-5 IEC 61000-4-2 IEC 61000-4-3 IEC 61000-4-4 IEC 61000-4-5 IEC 61000-4-6 IEC 61000-4-8 IEC 61000-4-11 IEC 61000-4-12 IEC 61000-4-16 IEC 61000-4-17

