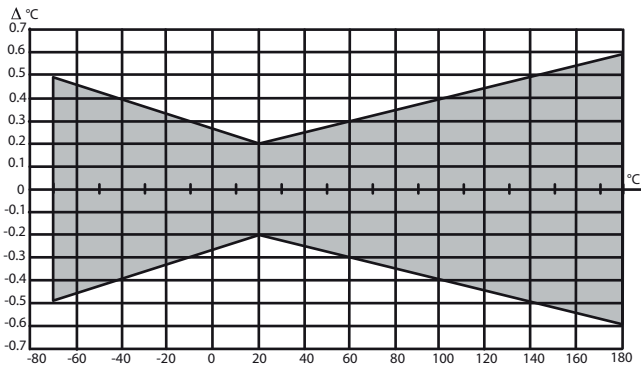


VA A

HMP75 HMP76 HMP77

0... 100%RH	
± 2	
+15... +25°C	± 1 %RH (0...90%RH) ± 1.7 %RH (90... 100%RH)
-20... +40°C	± 1.0 + 0.008 x %RH
-40... +180°C	± 1.5 + 0.015 x %RH
(+20°C)	± 0.6 %RH (0...40%RH) ± 1.0 %RH (40...97%RH)
+20°C	(90%)
HMP75	17 s
HMP76	60 s
HMP77	50 s

1 %RH/	
HMP75	-20... +60°C
HMP76	-50... +120°C
HMP76	-50... +180°C
HMP77	-70... +180°C
+20°C	± 0.2°C



HMP75 HMP76 HMP77

HUMICAP® 180R HUMICAP® 180RC	
Pt100RTD F0.1 IEC 60751	
-40... +60°C	
HMP75	
HMP76	
HMP77	

HMP75 HMP76 HMP77

IP	IP65 (NEMA 4)
ABS/PC (AIS316L)	
1.9 m	
HMP77	5.0 m
12 mm	
HMP75	250 g
HMP76	350 g
HMP77	500 g

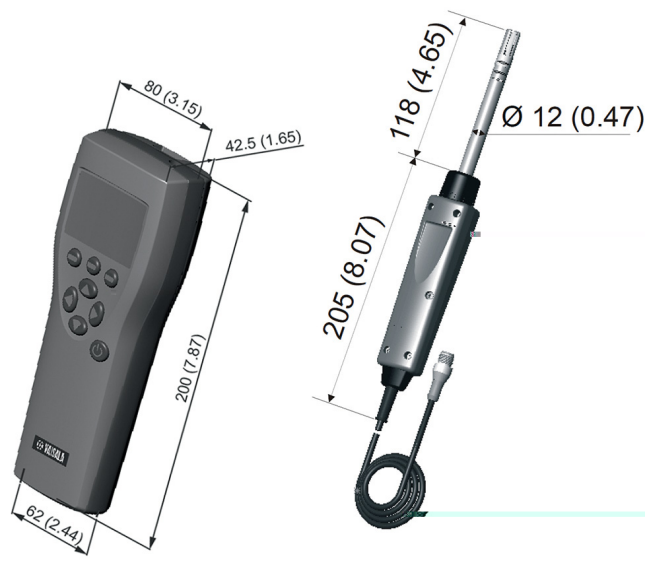
MI70

-10... +40°C	
0... 100%RH	
-40... +70°C	
2	
4 IEC LR6 AA	
PC	USB MI70Link
0... 1 VDC	
0.6 mV	
0.2%	
0.002%/°C	
10 k	
IP54	
ABS/PC	
400 g	
EMC	EN61326-1

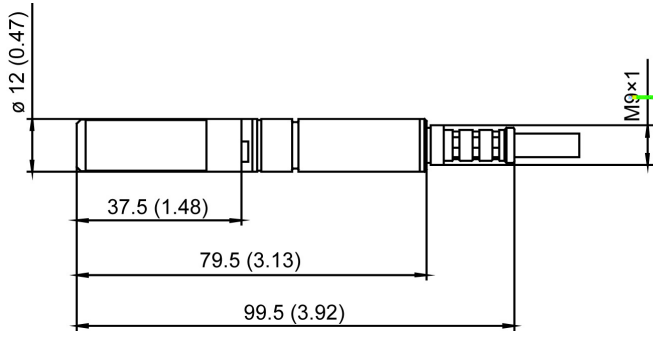
• LCD	
• 16 mm	
2700	
1	12
1	...
0.01 %RH 0.01°C/F 0.01 hPa 0.01 a _w 10 ppm/0.01 %CO ₂	

4	
+20°C 48	

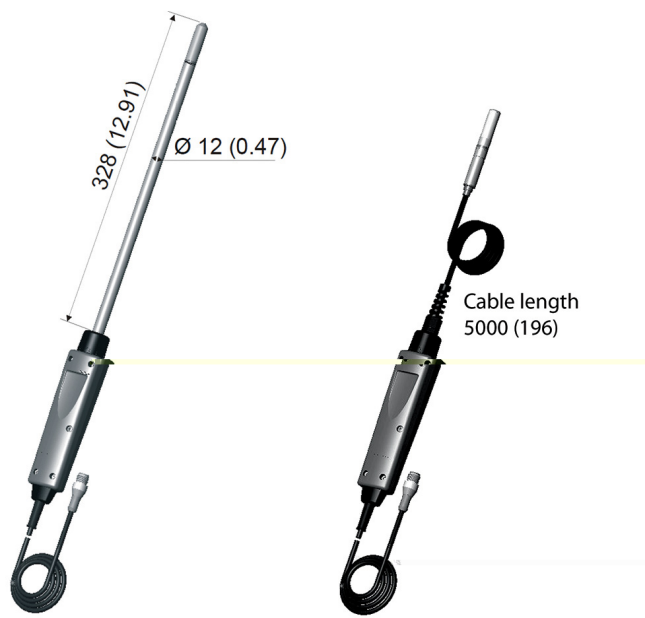
M70	HMP75/77	M70CASE3
M70	HMP76	M70CASE4
M70	HMP75/77	M70SOFTCASE
HMT330	HMT120/130	211339
HMT310		DRW216050SP
HMM90	HMDW110	219980SP
HMP110	GMV90	
	219980SP 1	CBL210649SP
HMD60/70		HMA6070
USB	M70Link	219687
	M70Link	M70LINK
		27168ZZ
	10m	213107SP
HMP75		
PC	HMP75	6221
		10159HM
		DRW212987SP
HMP76/77		
PPS		DRW010276SP
		HM47280SP
	HMP76	DRW212987SP
PPS	HMP77	DRW010281SP



MI70 HMP75 mm



HMP77 mm



HMP76 HMP77 mm

